

3.0 – Lower the Accessory Tray onto the top of the Multi-MicroPlate Genie® (See Figure 6). Line up the rubber feet on the Accessory Tray with the locating wells on the Multi-MicroPlate Genie.



Figure 6

4.0 – Push down and turn the Quarter Turn Fastener to lock the Accessory Tray in place. (See Figures 7 and 8).

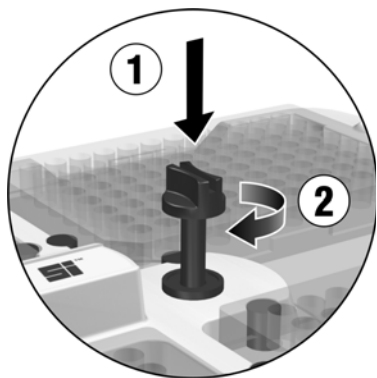


Figure 7

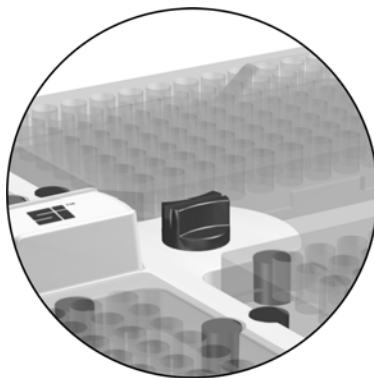


Figure 8

Weight:  
Dimensions (L x W x H):

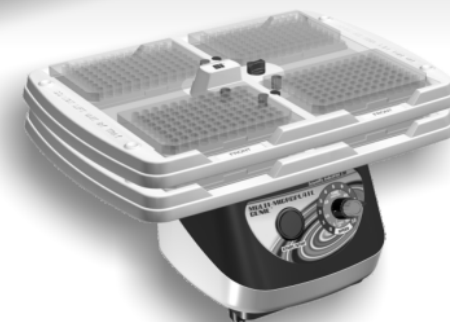
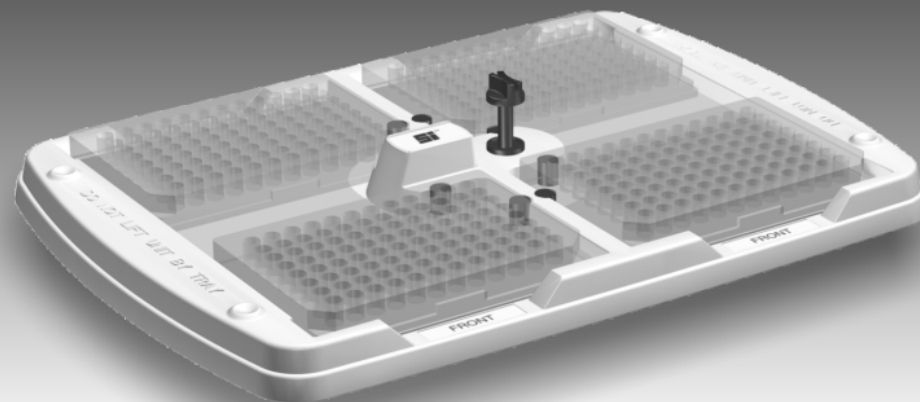
.82 Kg (1.8 lb)  
338 x 241 x 35mm  
(13.3 x 9.5 x 1.4in)

# MULTI MICROPLATE GENIE®

## ACCESSORY TRAY

### ASSEMBLY INSTRUCTIONS

Model SI-4010



Shown  
Assembled



70 Orville Drive, Bohemia, NY 11716 U.S.A.  
Phone: (631) 567-4700 • Fax: (631) 567-5896 Toll Free: 888-850-6208  
Customer Service: [custsvc@scientificindustries.com](mailto:custsvc@scientificindustries.com)  
[www.scientificindustries.com](http://www.scientificindustries.com)

The Multi-MicroPlate Genie® Accessory Tray expands the mixing capabilities of the Multi-MicroPlate Genie®. It has been optimized for use with almost any microplate, regardless of type or material of construction. The Accessory Tray's direct link to the Multi-MicroPlate Genie allows it to achieve consistent mixing within all microplate wells.

The Multi-MicroPlate Genie mixer is a version of the **ORIGINAL VORTEX-GENIE®** mixer produced by Scientific Industries. VORTEX-GENIE mixers are the "Gold Standard" for laboratory mixers and the quality and reliability that you have come to know so well are characteristics that are by design, an integral part of all GENIE™ products.

## ASSEMBLY INSTRUCTIONS

1.0 – Locate and remove the label in the center of the Multi-MicroPlate Genie Tray. (See Figures 1 and 2)

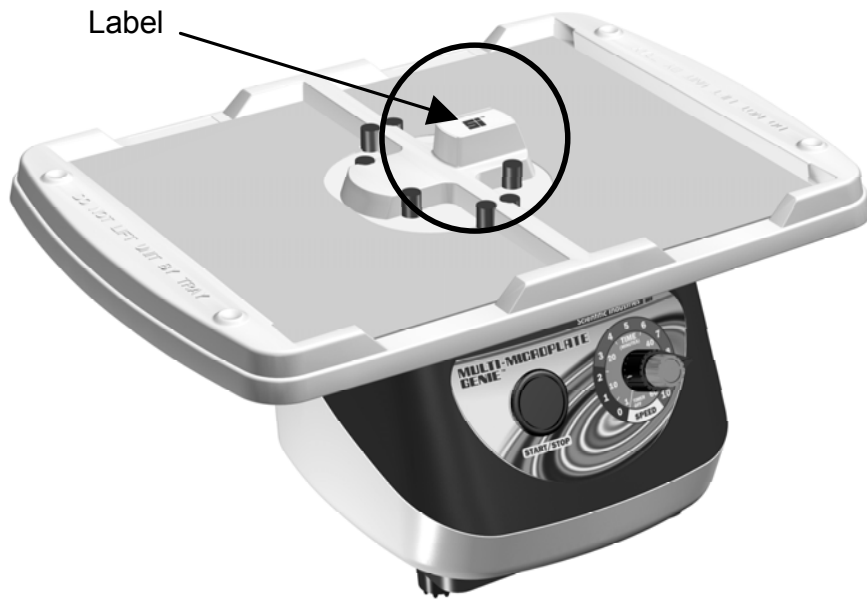


Figure 1

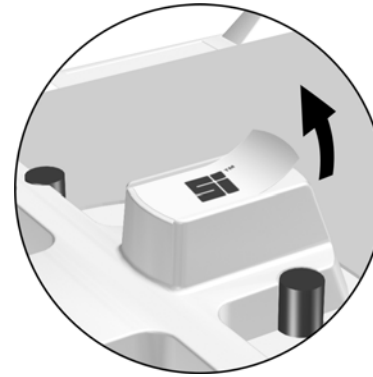


Figure 2



Figure 3

2.0 – Insert the accessory receptacle into the opening (See Figure 3). Place the open end of the top flange around the hole edge from above. Angle the receptacle through the hole. Slide the receptacle back until the flange lip snaps into the hole. (See Figures 4 and 5)

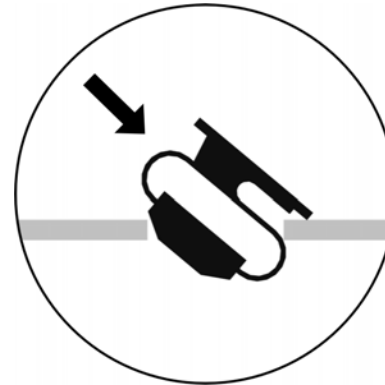


Figure 4

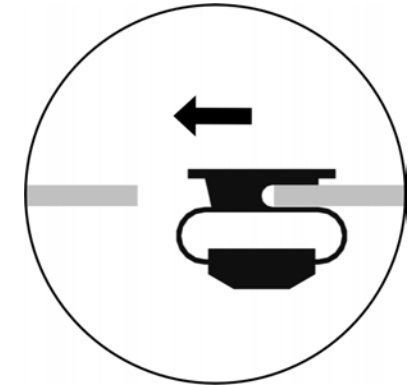


Figure 5