

# ROTATOR GENIE™

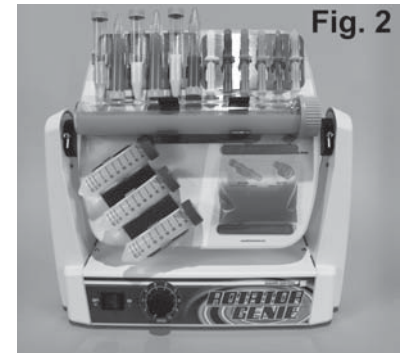
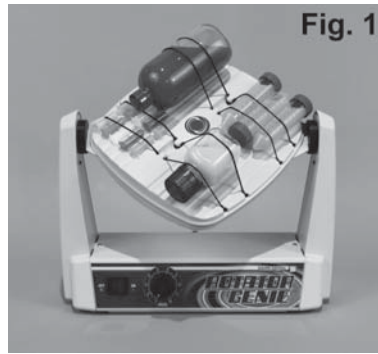
## VARIABLE SPEED ROTATOR OPERATING INSTRUCTIONS

Models SI-2100 through SI-2206



70 Orville Drive, Bohemia, NY 11716 U.S.A.  
Phone: (631) 567-4700 • Fax: (631) 567-5896 Toll Free: 888-850-6208  
Customer Service: [custsvc@scientificindustries.com](mailto:custsvc@scientificindustries.com)  
[www.scientificindustries.com](http://www.scientificindustries.com)

The **ROTATOR GENIE™** is designed to provide variable speed rotating in a compact, durable and user-friendly unit. The unit's compact footprint will fit into most incubators allowing for controlled environment mixing. Model SI-210X (Fig.1) has a durable thermoplastic platform that securely holds vessels with super stretch latex rubber strapping. Model SI-220X (Fig.2) has a magnetic platform that securely holds various spring clip mounting plates and bag mounting strips (accessories sold separately). Platforms are interchangeable and can be ordered separately. Rotating speeds can be easily adjusted with fingertip speed control knob. These units are ideal for mixing of almost any kind of laboratory samples.



*GENIE™ mixers are the “Gold Standard” for laboratory mixers. The quality and reliability, that you have come to know so well, are characteristics that are, by design, an integral part of all “GENIE” products.*

## OPERATING INSTRUCTIONS

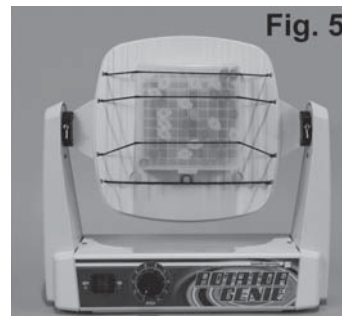
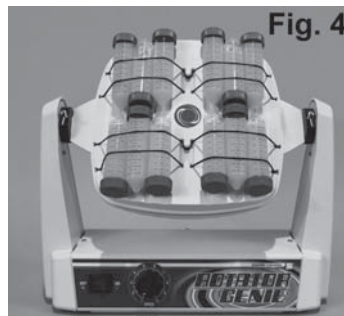
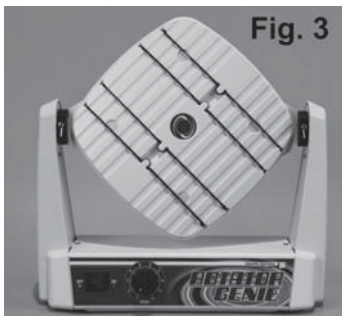
We recommend you retain the original packaging for 90 days in case you need to return the product for any reason to your distributor or Scientific Industries.

1.0 – Plug the line cord into a properly grounded electrical outlet. *(120 VAC for the SI-2100 & 2200 models; 230/240 VAC for the SI-2101-SI-2104 and SI-2106 / SI-2201-SI-2204 and SI-2206 models; 100 VAC for the SI-2105 & SI-2205 models).*

Illuminated ON/OFF switch indicates that the unit is ON and ready for use.

### 1.1 – ROTATOR GENIE with Standard Platform

The **Standard Platform** has a unique center pivot that allows it to be rotated 90° perpendicular to the rotating motion of the unit. The friction pivot automatically locks the platform in any desired position, giving the user maximum control over the mixing action (Fig.3). Rubber strapping locks the vessels in place (Fig.4). The platform has center locking tabs for adjusting the length of the straps to accommodate a large range of vessel sizes and shapes (Fig.5). The **Standard Platform** is easily removed without tools and can be interchanged with the versatile **Magnetic Platform** (Fig.6).



### 1.2 – ROTATOR GENIE with Magnetic Platform

The rotator is supplied with a magnetic platform and may be used with any of the accessories available (listed under “ROTATOR GENIE Accessories”) to provide maximum application versatility and can be purchased through most laboratory equipment distributors or visit [scientificindustries.com](http://scientificindustries.com).

The Magnetic Platform is easily removed without tools (Fig.6) and can be interchanged with the versatile Standard Platform.

## 2.0 – LOADING SAMPLES / ADJUSTING SPEED

Both sides of the platforms can be loaded. Position vessels evenly distributed on both sides of the platform. Uneven loading may result in inconsistent rotating speed/motion. Should this occur, turn the unit off and redistribute the vessels. Position the vessels within the footprint of the platform to ensure sufficient rotating clearance. Before continuous operation, turn the speed control knob to the lowest setting and turn the power switch on and off, slowly cycling the rotation to ensure that the tubes will clear the **ROTATOR GENIE** housing. Select the speed by turning the speed control knob until the desired speed is attained. If using the **ROTATOR GENIE** in a cold room, allow the unit to acclimate to the room temperature before setting the exact speed.

### 2.1 – “STANDARD PLATFORM”

Adjust the rubber strapping, as required, and position the tubes/containers onto the platform. Rotate the platform angle to produce the desired motion. See 2.0 above for tube clearances and speed control.

### 2.2 – “MAGNETIC PLATFORM”

Clip plate accessories may be aligned at various angles to produce different motions within the tubes. See 2.0 above for tube clearances and speed control.

### 2.3 – REPLACING FUSE

The electronics are protected by a quick blow 5 x 20mm, 0.5 amp fuse.

To replace the fuse, locate the fuse holder on the back of the housing. Insert a screwdriver into the slot in the cap and push gently while turning ¼ turn counterclockwise. Allow the cap to come off the fuse. Remove the fuse from the cap and insert the proper replacement fuse. Push the fuse and cap back into the fuse holder and rotate the cap clockwise until it locks in.

**⚠ CAUTION! Do not lift your ROTATOR GENIE™ by the platform.**

**⚠ CAUTION! Failure to follow operating instructions can compromise the user's safety.**

**⚠ CAUTION! Unplug from power before cleaning. Do not immerse.**

**Care and Handling**

Your **ROTATOR GENIE** should be given the care normally required for any electrical appliance. Avoid wetting or unnecessary exposure to fumes. The finish can be washed (after unplugging) with water and soap or detergents, using a cloth or sponge. Keep the unit clean by immediately blotting any spills. Do not autoclave. Replacement parts are available through your laboratory equipment distributor or directly from Scientific Industries. Refer to "Parts Assembly List".

**⚠ CAUTION! Replace fuse with the correct type and value only.**

**⚠ CAUTION! Ensure that the power is off before replacing the fuse.**



**SPECIFICATIONS**

The **ROTATOR GENIE** is classified as "Installation Category 2"  
 Environmental: 0°C – 38°C (32°F-100°F), 95% Humidity max.

MODEL	POWER REQUIRED	AMPS	MODEL	POWER REQUIRED	AMPS
SI-2100	120V	0.50	SI-2200	120V	0.50
SI-2101	230V	0.25	SI-2201	230V	0.25
SI-2102	230V	0.25	SI-2202	230V	0.25
SI-2103	230V	0.25	SI-2203	230V	0.25
SI-2104	230V	0.25	SI-2204	230V	0.25
SI-2106	240V	0.25	SI-2206	240V	0.25
SI-2105	100V	0.50	SI-2205	100V	0.50

Weight: 5.2 Kg (11.5 lbs)  
 Base Dimensions: (DxWxH) 175 x 400 x 400mm, (7.0 x 15.8 x 15.8in)  
 Standard Platform 260 x 260mm (10.25 x 10.25in)  
 Magnetic Platform 290 x 315mm (11.5 x 12.5in)

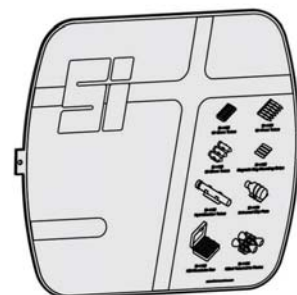
**ROTATOR GENIE Accessories**

Part No.	Description
SI-2110	Standard Platform with Bands
SI-2210	Magnetic Platform
SI-1123*	1 Clip Plate for 12 each 10-13mm tubes (magnetic platform capacity: 12 clip plates)
SI-1124*	1 Clip Plate for 6 each 15-17mm tubes (magnetic platform capacity: 12 clip plates)
SI-1125*	1 Clip Plate for 3 each 28-30mm tubes (magnetic platform capacity: 12 clip plates)
SI-1120*	6 Clip Plates for 12 each 10-13mm tubes (magnetic platform capacity: 12 clip plates)
SI-1121*	6 Clip Plates for 6 each 15-17mm tubes (magnetic platform capacity: 12 clip plates)
SI-1122*	6 Clip Plates for 3 each 28-30mm tubes (magnetic platform capacity: 12 clip plates)
SI-1126*	Bag Mounting Strips (pack of 16)
SI-1130*	2 Clip Plates for Hybridization Tubes
SI-1134*	2 Universal Clip Plates
SI-1135*	1 Magnetic Covered 100 Microtube Box
SI-1136*	1 Clip Plate for 100ml Volumetric Flasks

\*Requires magnetic platform, cat. no. SI-2210, as supplied with all SI-22xx models.



SI-2110



SI-2210



SI-1120 (6)  
SI-1123



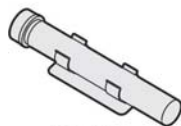
SI-1121 (6)  
SI-1124



SI-1122 (6)  
SI-1125



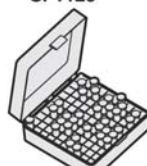
SI-1126



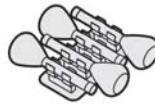
SI-1130



SI-1134



SI-1135

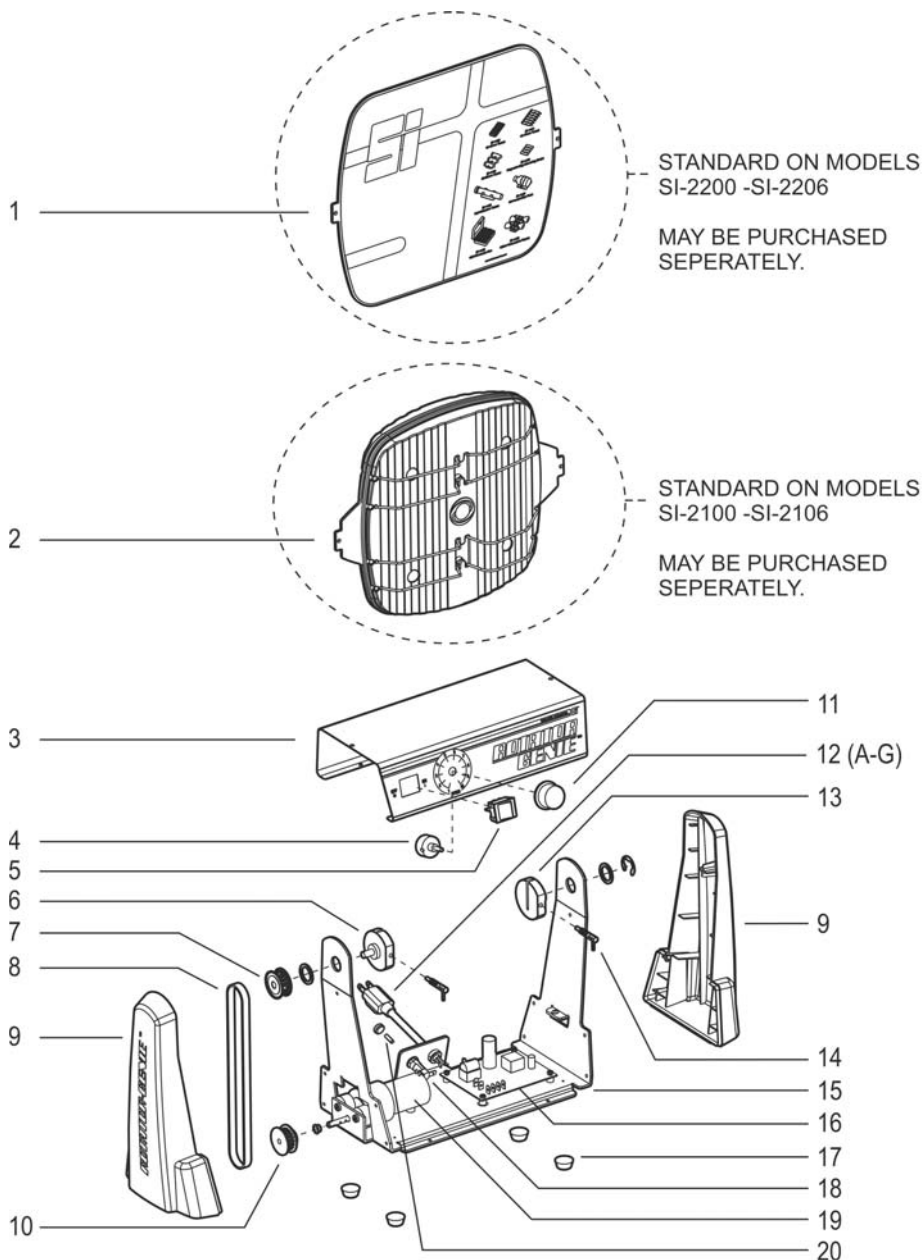


SI-1136

# Parts Assembly List

## To order parts for the ROTATOR GENIE™:

Contact your local laboratory equipment distributor or visit [scientificindustries.com](http://scientificindustries.com). Please specify Part No., quantity and electric voltage.



Indicator No.	Part No.	Description	Indicator No.	Part No.	Description
1	SI-2210	Magnetic Platform	12A	318-0510-02	120V Line Cord
2	SI-2110	Standard Platform with Bands	12B	0K-0246-901	230V Line Cord, No Plug
--	PBP0003	Retaining Band (1)	12C	0K-0256-901	230V Line Cord, Euro Plug
--	0K-2100-901	Retaining Bands Kit (8)	12D	0K-0266-901	230V Line Cord, British Plug
3	0K-2100-900	Top Cover w/ Label	12E	0K-0276-901	230V Line Cord, Swiss Plug
4	0A-1100-060	Potentiometer	12F	0K-0286-901	100V Line Cord
5A	ESP0001	100, 120V DPST Switch-Red	12G	ECP0021	Australian Plug (only)
5B	ESP0002	230V DPST Switch-Green	13	0M-2100-204	Link Disc-1
6	0M-2100-203	Link Disc	14	HWP0092	Spring Plunger
7	HWP0093	Timing Pulley Metal	15	0M-2100-200	Base
8	HWP0095	Timing Belt	16	0K-1100-902	Power Supply Board
9	PP-2100-400	Side Housing (1)	17	HWP0004	Bumper (4)
10	HWP0094	Timing Pulley Plastic	18	EPP0001	Fuse Holder
11	KBP0002	Speed Control Knob	19	0A-1100-020	Motor Assembly
			20	EFP0001	5 x 20mm 'F' Fuse .50 amp